

SOLAR TANK

FOIL JACKET
SOLAR TANK

HT 300 ERMR-125

HT 400 ERMR-125

HT 500 ERMR-125

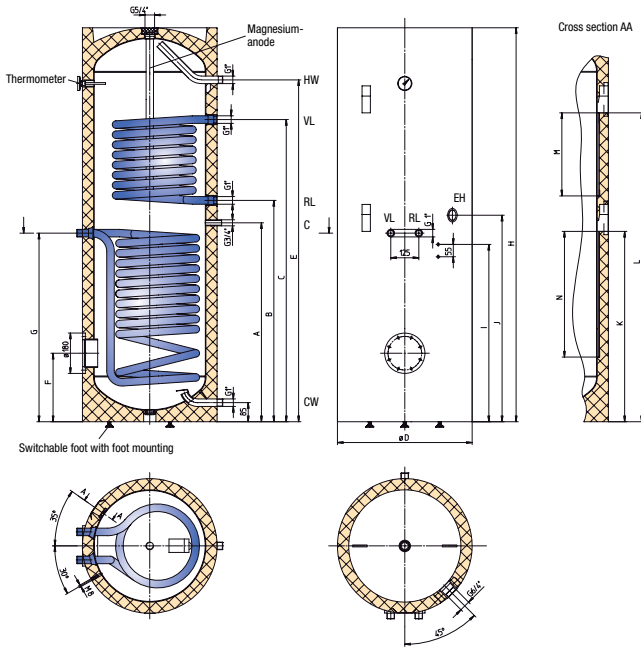


Pump group and expansion tank not included in the delivery

AE
Austria Email

FOIL JACKET SOLAR TANK HT ERMR-125

The HT ERMR-125 series of solar hot water storage tanks are equipped with two large-area pipe arrays for bivalent domestic water heating. The particular advantage of this tank is that it allows for easy installation of two-string solar pump groups with a centre-to-centre spacing of 125 mm between the solar supply and return with the expansion tank positioned directly next to the hot water tank.



VL = Supply
RL = Return
CW = Cold water

HW = Hot water
C = Circulation
EH = Installation heating

FEATURES

- Ready for installation of pump groups (centre-to-centre spacing 125 mm)
- Large heat exchanger surfaces
- Welded high-performance straight pipe array (not susceptible to limescale)
- Enamelling and Mg anode comply with DIN 4753 T3 and T6
- High-quality PU insulation, 50 mm
- Upward facing hot water outlet guarantees full venting
- Factory-mounted thermometer, dummy flange and flange insulating cover
- All storage tanks include 1½" screw-in sleeve (factory-sealed, can be retrofitted with SH-series screw-in heater)
- Variable sensor positioning (sensor channel)
- Included foil jacket available in 3 different colours (reduced stock inventory)
- Height-adjustable feet (included)
- Expansion tank can be attached directly to the tank

ACCESSORIES

- Pump group A40446 or A40447
- Mounting kit for pump group A40452
- Expansion tank A40405
- Screw-in heater SH
- Impressed current anode

Model	Dimensions in mm									Heat exchanger upper/lower m ²	Heat exchanger capacity l upper/lower	Diagonal height	Weight kg	Radiation value ¹ kWh/24h	IDS ² mm	N _L -number according to DIN 4708 upper/lower
	H	Ø D	A	B	C	E	F	G	I							
HT 300 ERMR - 125	1797	600	886	986	1346	305	840	790	920	0,93/1,42	5,9/9,1	1860	132	2,3	520	1,8/7,5
HT 400 ERMR - 125	1832	670	885	985	1345	345	835	785	915	0,93/1,81	5,9/11,7	1930	159	2,5	590	3 / 11
HT 500 ERMR - 125	1838	750	905	1005	1275	370	860	810	940	0,96/1,98	6,2/12,8	1965	173	2,8	670	3,7/15

¹ According to EN 12897

² Installation depth of heater sleeve for SH heating

Head office and factory: Austria Email AG
A-8720 Knittelfeld, Austriastrasse 6
Phone (03512) 700-0, Fax (03512) 700-239
Internet: www.austria-email.at
E-mail: office@austria-email.at

Customer Service: Phone (03512) 700-297
E-mail: kundendienst@austria-email.at

Sales offices:

Vienna, Lower Austria, Burgenland
A-1230 Wien, Zetschegasse 17
Phone (01) 6150727, Fax (01) 6150727-260
E-mail: bhrastnik@austria-email.at

Styria, Carinthia, East Tyrol
A-8053 Graz, Am Wagrain 62
Phone (0316) 271869, Fax (0316) 273126
E-mail: gbretterklicber@austria-email.at

Upper Austria, Salzburg
A-4600 Wels, Gärtnerstrasse 17
Phone (07242) 45071, Fax (07242) 43650
E-mail: akweton@austria-email.at

Tyrol, Vorarlberg
A-6020 Innsbruck, Etrichgasse 24
Phone (0512) 347951, Fax (0512) 393353
E-mail: hruepp@austria-email.at

Sales offices Germany:

Germany North/East
D-14772 Brandenburg, Am Industriegelände 3
Phone 0049/(0)3381 / 766-0
Fax 0049/(0)3381 / 766-244
E-mail: sgobi@austria-email.at

Germany South
D-92637 Weiden/Opf., Parksteiner Strasse 49
Phone 0049/(0)961 / 63 490-0
Fax 0049/(0)961 / 63 490-30
E-mail: ahirmer@austria-email.at

AE
Austria Email